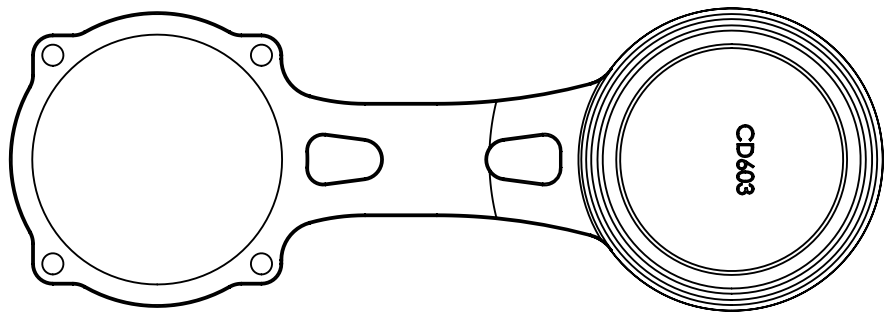
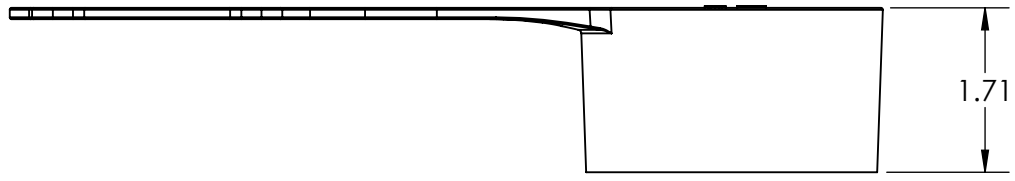
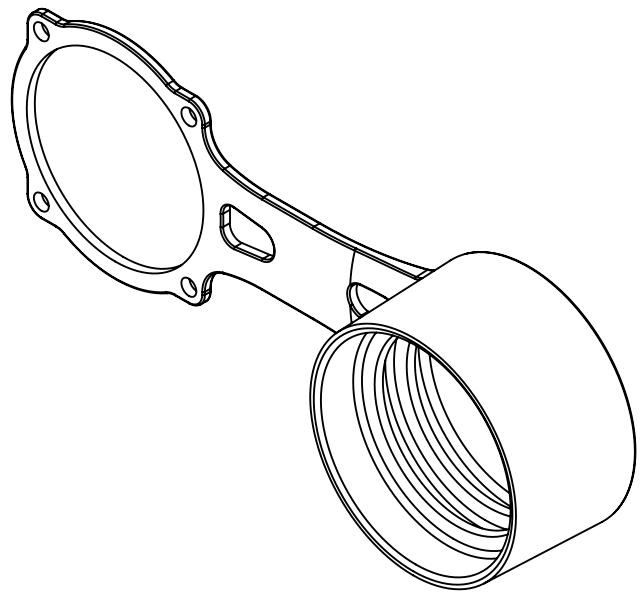
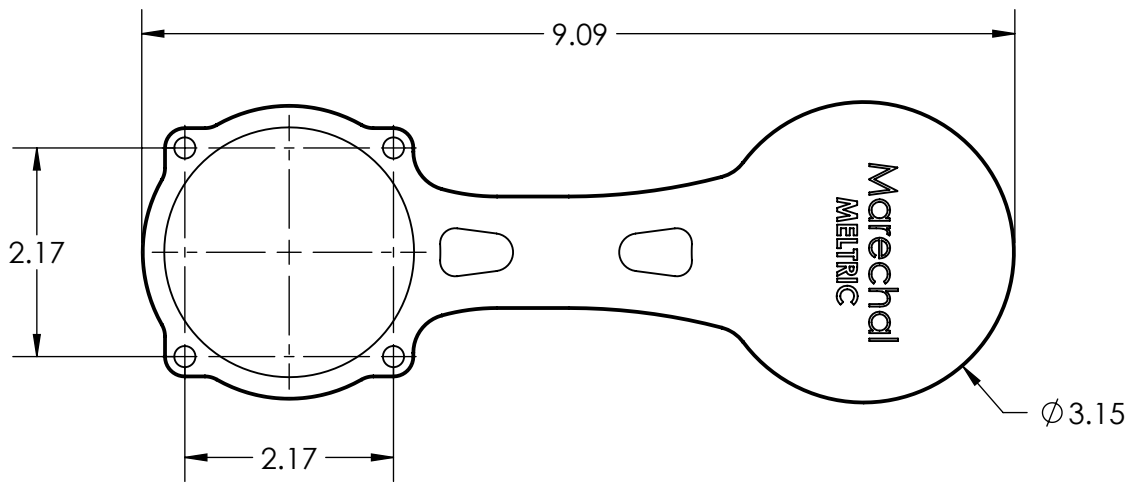
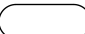



This drawing is the property of MELTRIC Corporation, Franklin (Milwaukee) Wisconsin, USA. Any unauthorized copying of this drawing by any means, ENGR/D06 REV: 20 ISSUED DATE: 1/15/11 or disclosure of its contents to any person not authorized by MELTRIC Corporation or its agents to receive it, is strictly prohibited.



TOLERANCES UNLESS OTHERWISE SPECIFIED	
MACHINED SURFACES $\sqrt[125]{\text{MAX}}$	<b>ENGLISH</b> <b>0.X ±0.05</b> <b>0.XX ±0.01</b> <b>0.XXX ±0.005</b>
GROUND SURFACES $\sqrt[32]{\text{MAX}}$	
ANGLE TOLERANCE ±1°	
REMOVE BURRS & SHARP EDGES TO .015 MAX.	
 DIMENSIONS SHOWN IN OVALS ARE INSPECTION DIMENSIONS.	

		DRAWING TITLE:	
A COMPANY OF MARECHAL ELECTRIC		<b>PROTECTIVE CAP FOR MALE INLET</b>	
DRAWN	APPROVED	SCALE	MATERIAL:
DATE:		NTS	<b>BLACK RUBBER</b>
SHEET:	PART NUMBER		REVISION
1 OF 1	<b>31-3A426</b>		